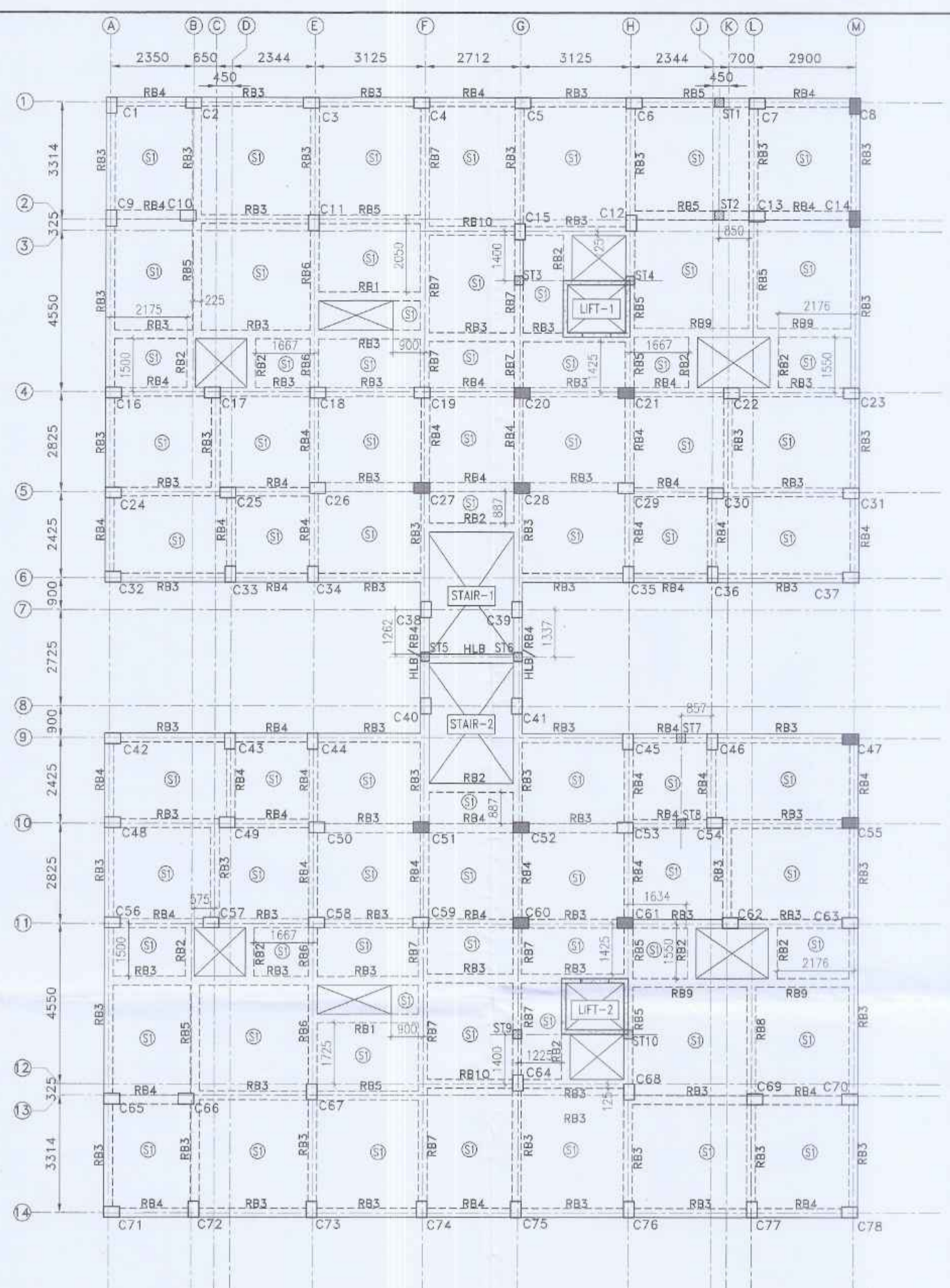


TYPICAL FLOOR BEAM AND SLAB LAYOUT PLAN AT LEVEL (+)2.950m, (+)5.950m, (+)8.950m, (+)11.950m
 S1 MARKED SLABS ARE 115mm THICK.
 HLB REFERS TO HALF LANDING BEAM.
 SCALE-1:100

SPECIAL NOTES:-
 1. THIS STRUCTURAL DRAWING IS VALID IF THE CONSTRUCTION IS DONE USING AAC BLOCKS FOLLOWING PROPER DIMENSION OF EXTERNAL AND INTERNAL WALLS AS PER ARCHITECTURAL DRAWING.
 2. THE STRUCTURE MUST BE CONSTRUCTED IN PRESENCE OF A COMPETENT STRUCTURAL ENGINEER FOR STRICT SUPERVISION.

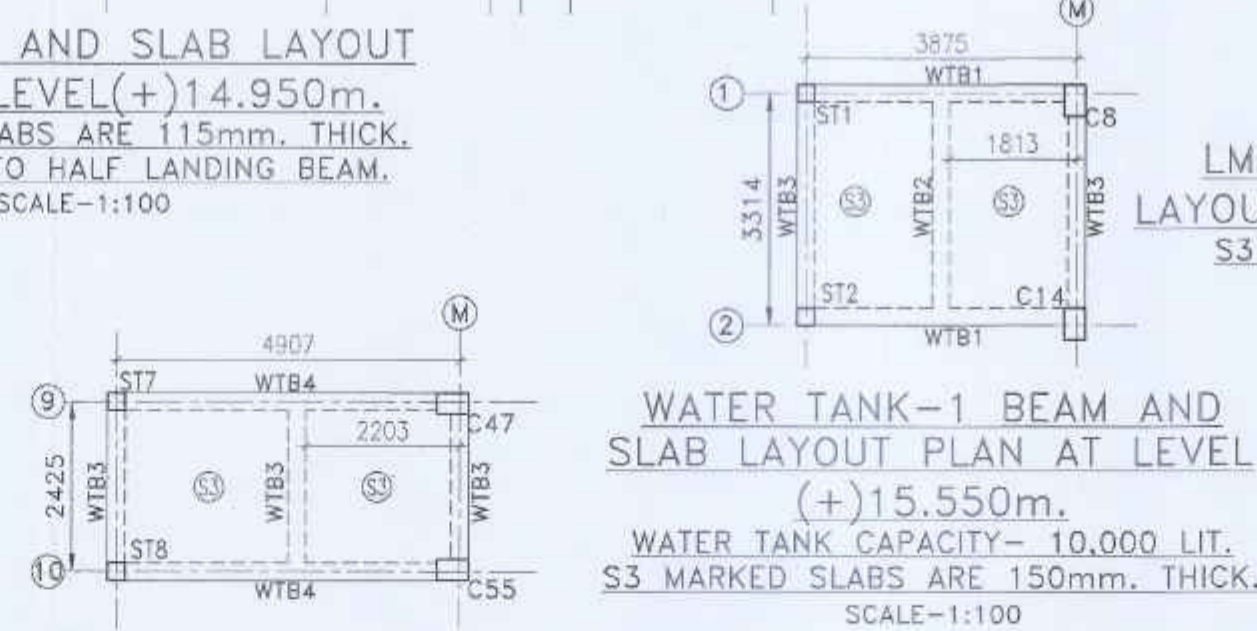
BEAM MARKED	BEAM SIZE		TOP REINFORCEMENT		BOTTOM REINFORCEMENT		STIRRUPS (AT SUPPORT) (S1)	STIRRUPS (AT SPAN) (S2)
	WIDTH (W) (mm)	DEPTH (D) (mm)	ALTHROUGH	EXTRA AT SUPPORT	ALTHROUGH	EXTRA AT SPAN		
FB1	250	400	3-16	-	3-16	-	2L-8 @100 C/C	2L-8 @200 C/C
FB2	250	400	3-16	-	3-16	-	2L-8 @100 C/C	2L-8 @200 C/C
FB3	250	450	3-16	-	3-16	-	2L-8 @100 C/C	2L-8 @200 C/C
FB4	250	450	3-16	-	3-16	-	2L-8 @100 C/C	2L-8 @200 C/C
FB5	250	450	3-16	2-12	3-16	-	2L-8 @100 C/C	2L-8 @200 C/C
FB6	250	450	3-16	3-16	3-16	-	2L-8 @100 C/C	2L-8 @200 C/C
FB7	250	450	3-16	-	3-16	-	2L-8 @100 C/C	2L-8 @200 C/C
FB8	250	450	3-16	3-16	2-12	2-12	2L-8 @100 C/C	2L-8 @200 C/C
FB9	250	450	LAYER1: 3-16, LAYER2: 3-16	-	2-12	-	2L-8 @100 C/C	2L-8 @100 C/C
FB10	250	450	2-12, 1-16	-	LAYER1: 2-12, LAYER2: 2-12	-	2L-8 @100 C/C	2L-8 @200 C/C
FB11	250	450	3-16	-	3-16	-	2L-8 @100 C/C	2L-8 @200 C/C
HLB	250	450	3-16	-	3-16	-	2L-8 @100 C/C	2L-8 @200 C/C



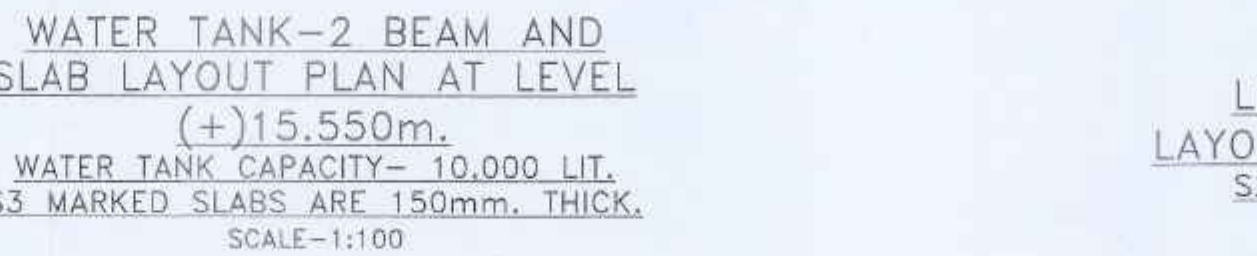
ROOF BEAM AND SLAB LAYOUT PLAN AT LEVEL (+)14.950m
 S1 MARKED SLABS ARE 115mm THICK.
 HLB REFERS TO HALF LANDING BEAM.
 SCALE-1:100

BEAM MARKED	BEAM SIZE		TOP REINFORCEMENT		BOTTOM REINFORCEMENT		STIRRUPS (AT SUPPORT) (S1)	STIRRUPS (AT SPAN) (S2)
	WIDTH (W) (mm)	DEPTH (D) (mm)	ALTHROUGH	EXTRA AT SUPPORT	ALTHROUGH	EXTRA AT SPAN		
RB1	250	400	2-12	-	2-12	-	2L-8 @100 C/C	2L-8 @200 C/C
RB2	250	400	2-12	-	2-12	-	2L-8 @100 C/C	2L-8 @200 C/C
RB3	250	450	2-12	-	2-12	-	2L-8 @100 C/C	2L-8 @200 C/C
RB4	250	450	3-16	-	3-16	-	2L-8 @100 C/C	2L-8 @200 C/C
RB5	250	450	2-12	2-12	2-12	-	2L-8 @100 C/C	2L-8 @200 C/C
RB6	250	450	2-12	2-12	2-12	2-12	2L-8 @100 C/C	2L-8 @200 C/C
RB7	250	450	2-12	2-16	2-12	2-12	2L-8 @100 C/C	2L-8 @200 C/C
RB8	250	450	2-12	3-12	2-12	-	2L-8 @100 C/C	2L-8 @200 C/C
RB9	250	450	2-12	-	2-12	2-12	2L-8 @100 C/C	2L-8 @200 C/C
RB10	250	450	LAYER1: 2-12, LAYER2: 2-12	-	2-12	-	2L-8 @100 C/C	2L-8 @200 C/C
HLB	250	450	3-16	-	3-16	-	2L-8 @100 C/C	2L-8 @200 C/C

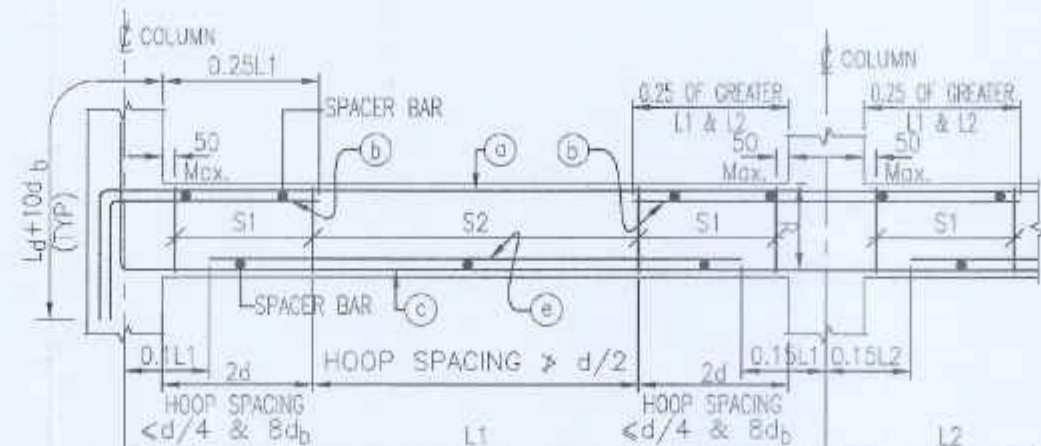
BEAM MARKED	BEAM SIZE		TOP REINFORCEMENT		BOTTOM REINFORCEMENT		STIRRUPS (AT SUPPORT) (S1)	STIRRUPS (AT SPAN) (S2)
	WIDTH (W) (mm)	DEPTH (D) (mm)	ALTHROUGH	EXTRA AT SUPPORT	ALTHROUGH	EXTRA AT SPAN		
WB1	250	350	3-12	2-16	2-12	2-16	2L-8 @100 C/C	2L-8 @200 C/C
WB2	250	350	3-12	-	2-12	2-16	2L-8 @100 C/C	2L-8 @200 C/C
WB3	250	350	3-12	-	2-12	2-16	2L-8 @100 C/C	2L-8 @200 C/C
WB4	250	350	3-12	2-16	2-12	2-12	2L-8 @100 C/C	2L-8 @200 C/C
LMFB	250	400	3-12	-	2-12	-	2L-8 @100 C/C	2L-8 @200 C/C
MRB	250	450	3-12	-	3-12	-	2L-8 @100 C/C	2L-8 @200 C/C
LMBR	250	400	3-12	-	3-12	-	2L-8 @100 C/C	2L-8 @200 C/C



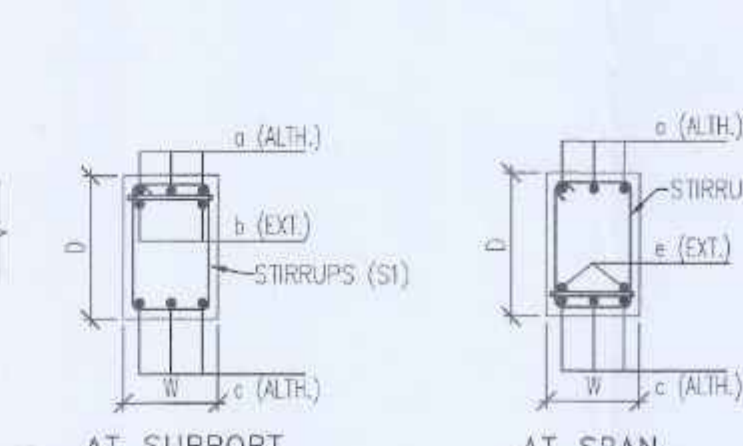
WATER TANK-1 BEAM AND SLAB LAYOUT PLAN AT LEVEL (+)15.550m
 WATER TANK CAPACITY-10,000 LIT.
 S3 MARKED SLABS ARE 150mm THICK.
 SCALE-1:100



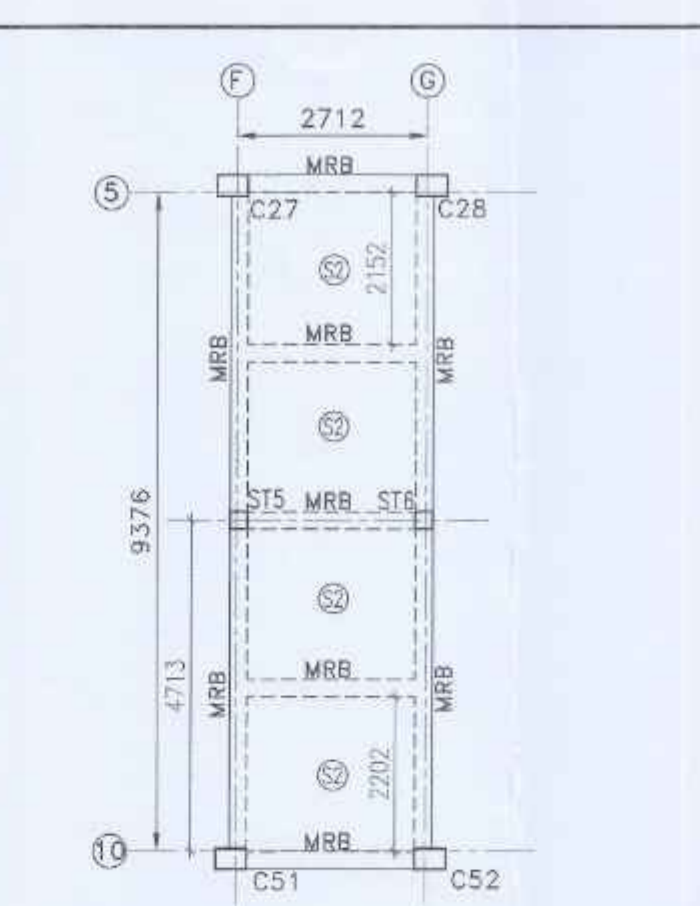
WATER TANK-2 BEAM AND SLAB LAYOUT PLAN AT LEVEL (+)15.550m
 WATER TANK CAPACITY-10,000 LIT.
 S3 MARKED SLABS ARE 150mm THICK.
 SCALE-1:100



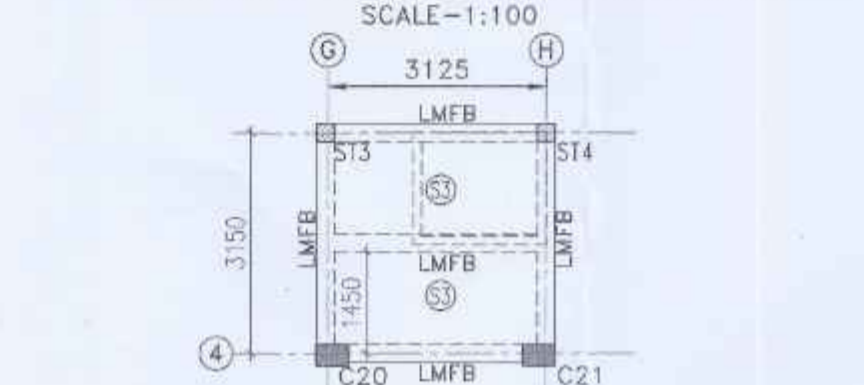
TYPICAL ARRANGEMENT OF REINFORCEMENT IN BEAM
 SCALE-N.T.S



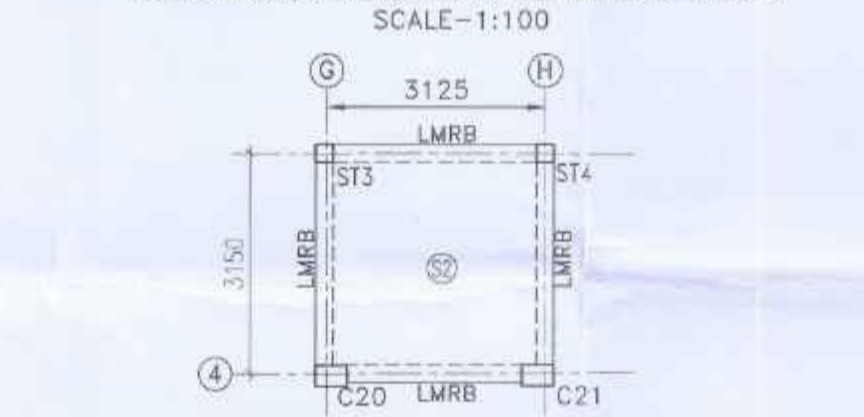
TYPICAL CROSS SECTION OF BEAM
 SCALE-N.T.S



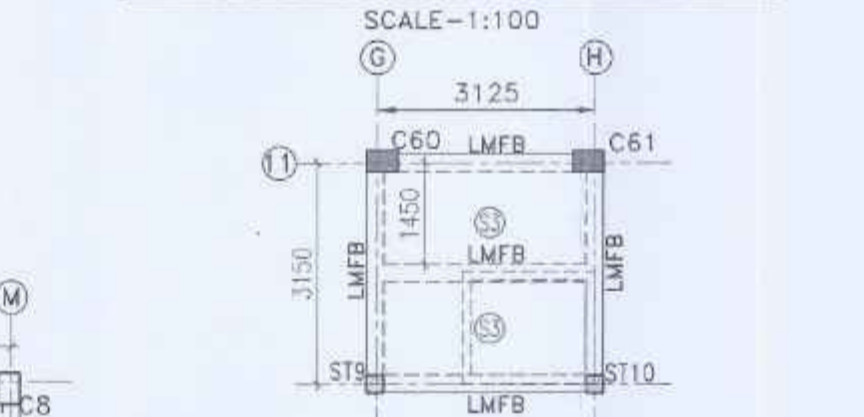
MUMTY ROOF BEAM AND SLAB LAYOUT PLAN AT LEVEL (+)17.350m
 S2 MARKED SLABS ARE 150mm THICK.
 SCALE-1:100



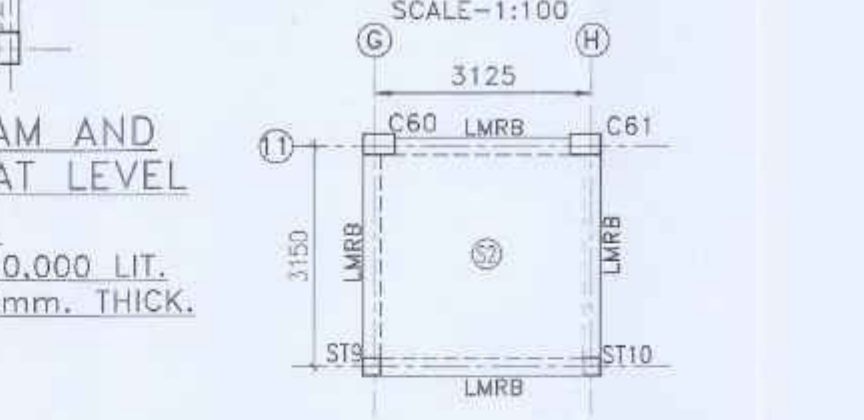
LMR-1 FLOOR BEAM AND SLAB LAYOUT PLAN AT LEVEL (+)16.450m
 S3 MARKED SLABS ARE 150mm THICK.
 SCALE-1:100



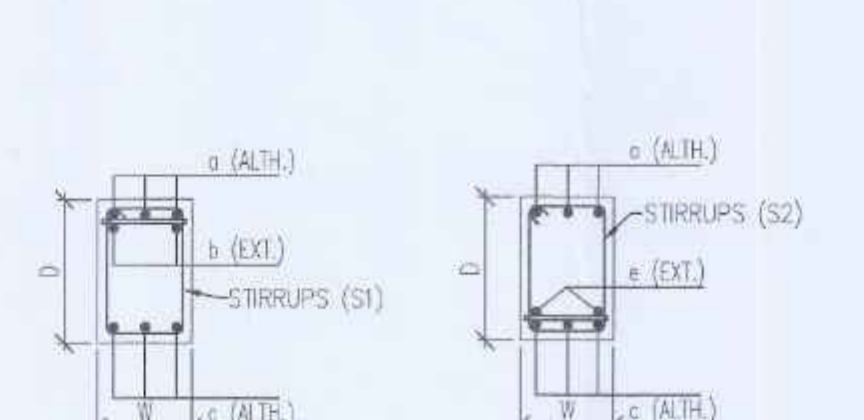
LMR-1 ROOF BEAM AND SLAB LAYOUT PLAN AT LEVEL (+)18.850m
 S2 MARKED SLABS ARE 115mm THICK.
 SCALE-1:100



LMR-2 FLOOR BEAM AND SLAB LAYOUT PLAN AT LEVEL (+)16.450m
 S3 MARKED SLABS ARE 150mm THICK.
 SCALE-1:100



WATER TANK-1 BEAM AND SLAB LAYOUT PLAN AT LEVEL (+)15.550m
 WATER TANK CAPACITY-10,000 LIT.
 S3 MARKED SLABS ARE 150mm THICK.
 SCALE-1:100



LMR-2 ROOF BEAM AND SLAB LAYOUT PLAN AT LEVEL (+)18.850m
 S2 MARKED SLABS ARE 115mm THICK.
 SCALE-1:100

- NOTES :**
- UNLESS OTHERWISE STATED ALL CONSTRUCTION ACTIVITIES SHALL BE CARRIED OUT CONFORMING TO RELEVANT (INDIAN) STANDARD CODES OF PRACTICE.
 - ALL DIMENSIONS ARE IN MILLIMETERS & LEVELS ARE IN METER. EXCEPT OTHERWISE MENTIONED ONLY WRITTEN DIMENSIONS SHALL BE FOLLOWED. ALL LEVELS GIVEN IN STRUCTURAL DRAWINGS ARE IN ACCORDANCE WITH ARCHITECTURAL DRAWINGS AND INDICATE STRUCTURAL LEVEL ONLY (WITHOUT FINISH).
 - ANY DISCREPANCY IN THE STRUCTURAL AND ARCHITECTURAL DRAWINGS SHALL BE BROUGHT TO THE NOTICE OF STRUCTURAL CONSULTANT BEFORE EXECUTION OF WORK.
 - UNLESS OTHERWISE SPECIFIED ALL REINFORCEMENT TO BE USED SHALL BE TMT BARS OF GRADE Fe-500/500D CONFORMING TO IS-1786-2008.
 - UNLESS OTHERWISE STATED LAP LENGTH OF BARS SHALL BE EQUAL TO THE DEVELOPMENT LENGTH = 50xBAR DIA.
 - CONCRETE CLEAR COVER SHALL BE AS FOLLOWS:
 - i) COLUMNS : 40 mm
 - ii) BEAMS : 30 mm
 - iii) SLABS : 20 mm
 - iv) WAIST SLAB : 20 mm
 - GRADE OF CONCRETE FOR SUPERSTRUCTURE WILL BE OF M25 AS PER IS-456:2000.
 - VIBRATOR SHALL BE USED FOR PROPER COMPACTION OF CONCRETE AND CURING SHALL BE DONE PROPERLY.
 - DEVELOPMENT LENGTH 50xD FOR LAP & SPLICES SHOULD BE PROVIDED AS PER THE PROVISIONS LAID DOWN IN SP34:1987
 - WHEREVER A SUPPORTED MEMBER TERMINATES AT A SUPPORTING MEMBER THE BARS OF THE SUPPORTED MEMBER SHOULD HAVE AN ANCHORAGE OF 60D IN THE SUPPORTING MEMBER.
 - WHEN TWO BEAMS MEET AT A COLUMN LOCATION ALONG THE SAME LINE THE HIGHER REINFORCEMENT AT THE TOP SHOULD BE CONTINUED AT BOTH SIDE.
 - ALL CANTILEVER SLAB WITHOUT PERIPHERAL BEAMS THE TOP REINFORCEMENT PARALLEL TO THE CANTILEVER SPAN SHOULD BE CONTINUED UP TO ATLEAST 1.5 TIMES THE CANTILEVER SPAN WITHIN THE ADJACENT SLAB.

TITLE- (BLOCK-A&B)
 STRUCTURAL DRAWING OF PROPOSED G+IV STORIED RESIDENTIAL CUM COMMERCIAL BUILDING AT MOUZA :- KALKAPUR, JL NO :- 40 R.5/L.R. DAG NOS:- 437, L.R. KHATHAT NOS:-3782,3995, R.S. NO:-141;TOUZI NO:-10;P.S:-RAJARHAT UNDER PATHARGHATA GRAM PANCHAYET DISTRICT: NORTH 24 PARGANAS.

SIGNATURE OF OWNER
 GITANJALI ENTERPRISE
 Ritu Choudhary (Raj) Arjo Das
 Partner Partner
 GITANJALI ENTERPRISE
 Chaudhary ali Chaudhary
 Partner

SIGNATURE OF ARCHITECT
 SIGNATURE OF GEO-TECHNICAL ENGINEER

SIGNATURE OF STRUCTURAL ENGINEER
 SIGNATURE OF THE VETTING AUTHORITY

SUSMITA MONDURY
 B.TECH (CIVIL) - WBUT
 ME (CONSTRUCTION) - JU
 ESE-1/ETPSON/130
 ESE-II/UMC/664
 STER/NKDA/21/00010
 CIVIL/REGD/10/00175
 (M)-8897517321/7003201735

DR. DIPANKAR CHANDRASEKHAR
 STRUCTURAL ENGINEER & ARCHITECT
 PROFESSOR & FORMER HEAD
 CIVIL ENGINEERING DEPARTMENT
 JADAVPUR UNIVERSITY
 28, UDAKOLLA ROAD, JADAVPUR, KOLKATA-700032
 (PHONE) 982-945-2888, (M) 985155003 & 9840448781
 Email: prof.dipankar@gmail.com

STRUCTURAL CONSULTANT:
 STRUCTCON ENTERPRISE
 REGD. ADDRESS: ASHRAY APARTMENT, GROUND FLOOR, 96B, KALKAPUR ROAD, KOLKATA- 700 099
 Email-structconenterprise@gmail.com
 Ph.-9007714478, 7003201735

DRAWING TITLE
 TYPICAL FLOOR, ROOF, ABOVE ROOF BEAM & SLAB LAYOUT PLAN WITH REINF. DETAILS.
 SCALE:-1:100 OR AS SHOWN
 DATE:-07.06.2024
 SHEET NO.- 3 OF 4 SHEET SIZE- A1